


ONKYO® SERVICE MANUAL

Integrated Stereo Amplifier MODEL A-8067

Silver and Black models

UDN, UD	120V AC, 60Hz
UG	220V AC, 50Hz
UW	120V or 220V AC, 50/60Hz

SAFETY-RELATED COMPONENT WARNING!!

COMPONENTS IDENTIFIED BY MARK  ON THE SCHEMATIC DIAGRAM AND IN THE PARTS LIST ARE CRITICAL FOR RISK OF FIRE AND ELECTRIC SHOCK. REPLACE THESE COMPONENTS WITH ONKYO PARTS WHOSE PARTS NUMBERS APPEAR AS SHOWN IN THIS MANUAL.

MAKE LEAKAGE-CURRENT OR RESISTANCE MEASUREMENTS TO DETERMINE THAT EXPOSED PARTS ARE ACCEPTABLY INSULATED FROM THE SUPPLY CIRCUIT BEFORE RETURNING THE APPLIANCE TO THE CUSTOMER.

TABLE OF CONTENTS

Item	Page
Specifications	2
Block diagram	2
Precautions	4
Main amplifier adjustment	4
Front panel facilities	5
System connections	5
Exploded view	6
Parts list	7
Printed circuit board parts list	8
Packing procedures	10
Printed circuit board view	11
Schematic diagram	13, 17

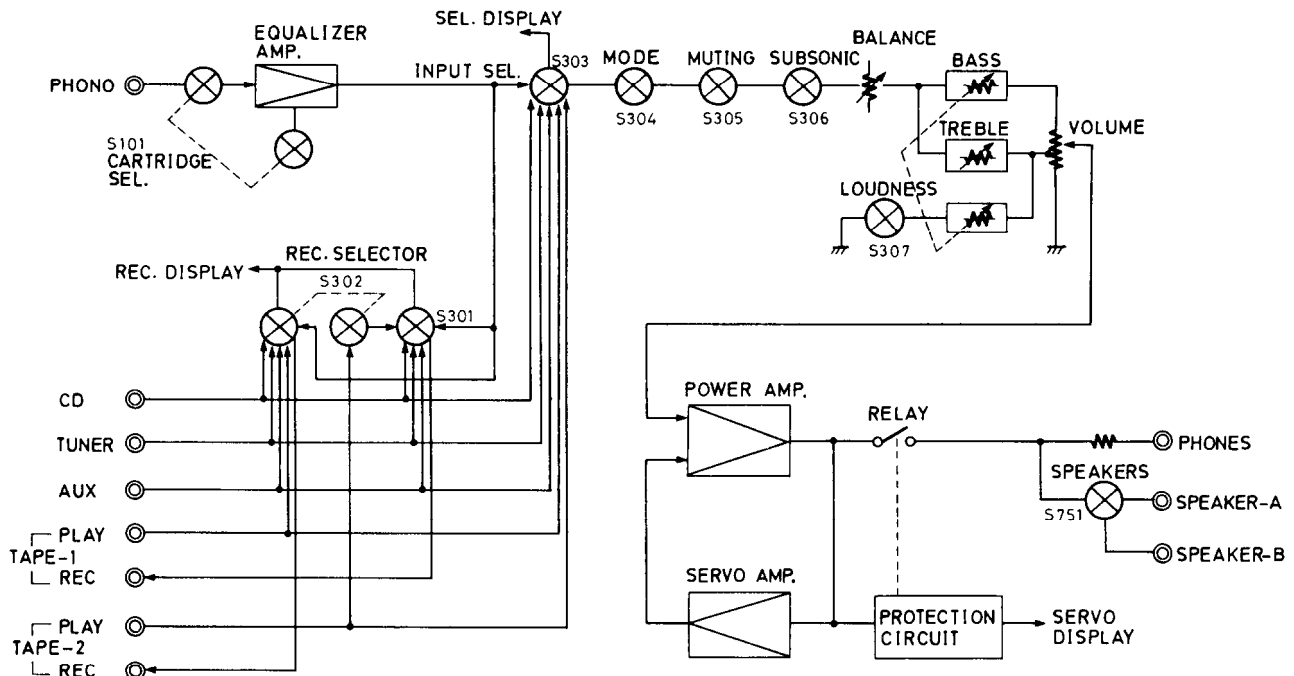
ONKYO®
AUDIO COMPONENTS

SPECIFICATIONS

Power Output:	80 watts per channel, min. RMS, at 8 ohms, both channels driven, from 20Hz to 20kHz with no more than 0.015% THD.
Total Harmonic Distortion:	0.015% at rated power
IM Distortion:	0.005% at rated power
Damping Factor:	50 at 8 ohms
Frequency Response:	2-50,000Hz \pm 1dB
RIAA Deviation (MM):	20-20,000Hz \pm 0.3dB
Sensitivity and Impedance:	Phono (MM): 2.5mV/50 kohms Phono (MC): 160 μ V/100/220 ohms Tuner: 150mV/50 kohms Tape Play: 150mV/50 kohms Tape Rec: 150mV/1.5 kohms (phono)
Phono Overload:	200mV RMS at 1kHz, 0.015% THD
Bass Control:	\pm 8dB at 70Hz
Treble Control:	\pm 8dB at 20,000Hz
Signal to Noise Ratio:	Phono (MM): 80dB (IHF A-202, 5mV input, 1 watt output) Phono (MC): 72dB (IHF A-202, 0.5mV input, 1 watt output) Tuner & Tape: 84dB (IHF A-202, 0.5V input, 1 watt output)
Muting:	-20dB
Loudness Control:	+6dB at 70Hz, +5dB at 20kHz
Subsonic Filter:	15Hz (6dB/Octave)
High Cut (TREBLE MIN):	6kHz (6dB/Octave)
Power Supply:	AC 120V, 60Hz [D model] AC 220V, 50Hz [G model] AC 120V or 220V, 50/60Hz [W model]
Semiconductors:	IC: 5 TR: 42 Diode: 46
Dimensions:	435(W) x 144(H) x 391(D) mm 17-1/8" x 5-5/8" x 15-3/8"
Weight:	12kg. (26.5 lbs.)

Specifications and features are subject to change without notice.

BLOCK DIAGRAM



PRECAUTIONS

1. Replacing the fuses

For continued protection against risk fire, replace only with same type and same rating fuse.

CIRCUIT NO.	PARTS NO.	DESCRIPTION
F901	252051	6A (ST-6), Primary fuse (120V model)
F901	252076	3.15A-SE-EAK, Primary fuse (220V, 120V/220V model)
F701	252070	1A-SE-EAK, Secondary fuse (220V model)

2. Replacing the lamp

This unit uses the lamp listed below.

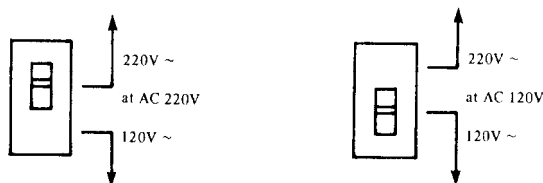
CIRCUIT NO.	PARTS NO.	DESCRIPTION
PL701	210172	PL14V0.06AW-2.0

3. Insulation resistance measurement (Only U.S.A. model)

Connect the insulating-resistance tester between the plug of power supply cable and the terminal GND on the back panel. Specification; 500V more than 10M Ω .

4. Voltage selector (rear panel)

Worldwide models are equipped with a voltage selector to conform with local power supplies. Be sure to set this switch to match the voltage of the power supply in your area before turning the power switch on. Voltage is changed by sliding the groove in the switch with a screwdriver or similar instrument to the up or down position. Confirm that the switch has been moved all the way to the up or down before turning the power switch on. If there is no voltage selector switch on the unit you have purchased, it can only be used in areas where the power supply voltage is the same as that of the unit.



MAIN AMPLIFIER ADJUSTMENT

Set the all control knobs to standard position

Standard knob position	
INPUT SELECTOR	CD
CARTRIDGE SELECTOR	MM
REC. SELECTOR	OFF
MODE	STEREO
MUTING	OFF
SUBSONIC FILTER	OFF
BALANCE	Center
VOLUME	Minimum
LOUDNESS	OFF
BASS	DEFEAT
TREBLE	DEFEAT
SPEAKERS	A

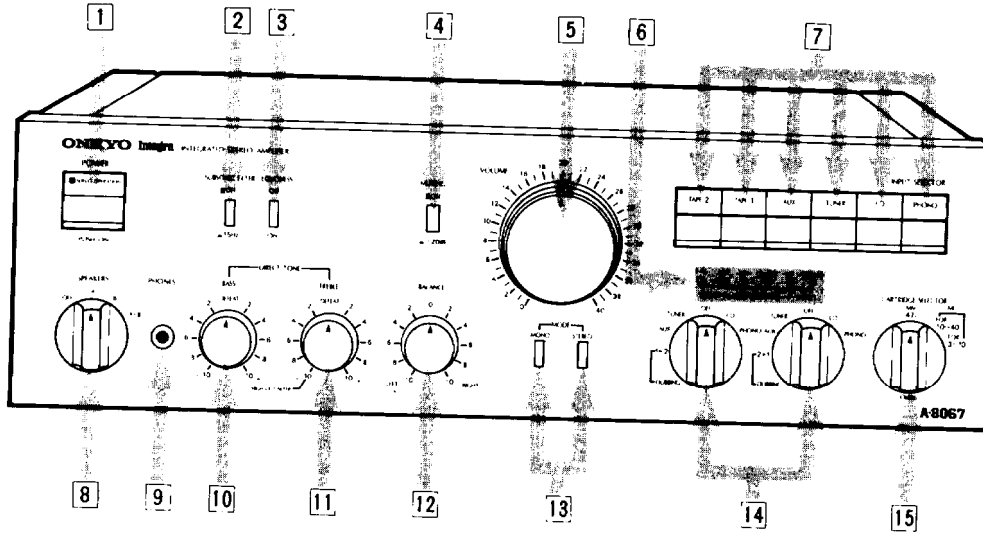
IDLING CURRENT ADJUSTMENT

1. Connect the DC voltmeter between I_{ID} and V_{CT} terminals.
2. Adjust the voltage to $15V \pm 5mV$ with semi-fixed resistor of R531 and R532.

NOTES.

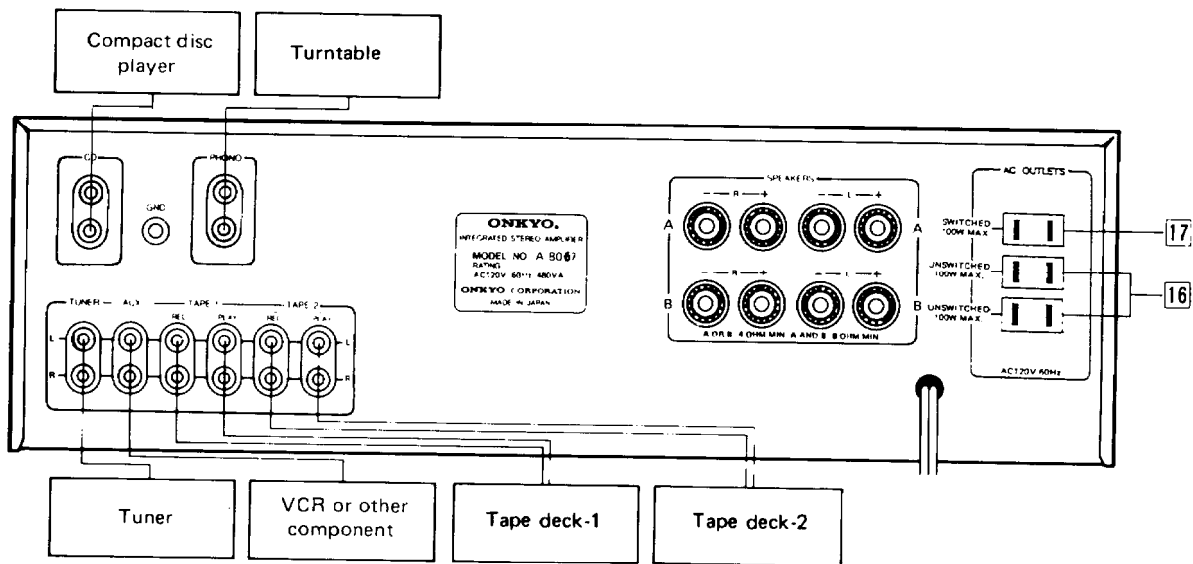
- Adjust after switching on for 5 minutes.
- VOLUME Minimum
- LOAD Open

FRONT PANEL FACILITIES



- | | |
|---------------------------------------------|------------------------------------------------|
| 1. Power switch (POWER) | 9. Headphones jack (PHONES) |
| 2. Subsonic filter (SUBSONIC FILTER) | 10. Bass control (BASS) |
| 3. Loudness control (LOUDNESS) | 11. Treble control (TREBLE) |
| 4. Muting switch (MUTING) | 12. Balance control (BALANCE) |
| 5. Volume control (VOLUME) | 13. Mode selector (MODE) |
| 6. Recording mode indicator | 14. Recording source selectors (REC. SELECTOR) |
| 7. Input selector switches (INPUT SELECTOR) | 15. Cartridge selector (CARTRIDGE SELECTOR) |
| 8. Speaker selector (SPEAKERS) | |

SYSTEM CONNECTIONS



CHASSIS-EXPLODED VIEW-PARTS LIST

REF. NO.	PARTS NO.	DESCRIPTION	REF. NO.	PARTS NO.	DESCRIPTION	REF. NO.	PARTS NO.	DESCRIPTION
A1	27110227C	Front bracket	A803	28321726A	Knob (SP)	U2	12028586	pc board ass'y [G]
A2	27120664A	Back panel [D]	A804	28321908	Knob (SP), [BLACK] [D]			NADA-2286, Power amplifier pc board ass'y 1 [D] [W]
	27120665A	Back panel [G]	A805	28322010	Knob (SP), [BLACK] [G] [W]			NADA-2286a, Power amplifier pc board ass'y 1 [G]
A3	27120667A	Back panel [W]		28322023	Knob (PUSH)			NASW-2156a, Input selector board ass'y 2 [D] [W]
A4	27115132C	Side bracket (R)		28321909	Knob (PUSH), [BLACK]			NAMA-2157c, Power amplifier pc board ass'y 2 [D] [W]
A5	27130371A	Bracket (L)		28321904	Knob (POW)			NAMA-2157d, Power amplifier pc board ass'y 2 [G]
A6	27130386	Bracket (TP)		28321905B	Knob (POW), [BLACK]			NADS-2287, LED pc board ass'y
A7	27130370	Bracket, shield		28321533	2SC2837 (O), Transistors			NADIS-2159, LED pc board ass'y
A8	27130392	Shield plate (EQ)	Q609, Q610	2201533	2SC2837 (Y) or			NASW-2162, Mode switch pc board ass'y
A9	27140944B	Bracket (POW)	Q613, Q614	2201534 or	2SC2837 (P)			NATS-2168, Speaker terminal pc board ass'y [D] [W]
A10	27140819	Bracket (PC)	Q611, Q612	2201523	2SA1186 (O), Transistors			NATS-2168a, Speaker terminal pc board ass'y [G]
A11	27140945	Bracket (K)	Q615, Q616	2201524 or	2SA1186 (Y) or			NADIS-2169, LED pc board ass'y
A13	27140948	Bracket (TR)		2201525	NPT-855D, Power transformer			NAFU-2203f, Fuse pc board ass'y [D]
A14	27140693	Bracket (BP)	▲ T1	230872	[D]			NAFU-2203g, Fuse pc board ass'y [W]
A15	28175105	Insulator plate (H)		230873	NPT-855G, Power transformer			NAFU-2203h, Fuse pc board ass'y [D]
A16	27150168A	Shield plate (B)		230874	NPT-855DG, Power transformer			NAFU-2203i, Fuse pc board ass'y [D]
A17	27160154	Radiator	▲ T2		NCH-4106, Choke coil			NAFU-2203j, Fuse pc board ass'y [W]
A18	27190349	Holder (PC)	▲ S1	231061	NPS-1111LA3, Power switch			NAFU-2203k, Fuse pc board ass'y [D]
A19	27190011	LCBS-8NS, Holder	▲ C1	25035015A	0.01μF, AC400V, Capacitor			NAFU-2203l, Fuse pc board ass'y [W]
A21	27300750	Strainrelief	▲ S101b	3500065A	NRSM-103-30BU, Cartridge selector, operation section			NAFU-2203m, Fuse pc board ass'y [D]
A22	28140457	Cushion	▲ P1	25050139	NSCT-6P38, AC outlet [D]			NAFU-2203n, Fuse pc board ass'y [W]
A301	28184269	Top cover	▲ P2	25108010	LG-2C, Terminal [G] [W]			NAFU-2203o, Fuse pc board ass'y [D]
A302	28184270	Top cover [BLACK]		25065123	NSS-1258P, Slide switch [W]			NAFU-2203p, Fuse pc board ass'y [W]
A500	28140020	4 x 10 x 40, Cushion		253112	AS-UC-4 #18, Power supply cable [D]			NAFU-2203q, Fuse pc board ass'y [D]
	12028121	Front panel ass'y		253127	AS-CEE, Power supply cable [G]			NAFU-2203r, Fuse pc board ass'y [W]
	12008121	Front panel ass'y [BLACK]		253092-1	AS-CEE-2, Power supply cable [W]			NAFU-2203s, Fuse pc board ass'y [D]
	28140570A	Cushion, input selector switch [BLACK]		25060044	Ground terminal			NAFU-2203t, Fuse pc board ass'y [W]
	28140532A	Cushion, Rec selector switch [BLACK]		25045086	NPI-2PRBL43, Input terminal			NAFU-2203u, Fuse pc board ass'y [W]
	28140205A	Cushion, Tone controle switch [BLACK]		252051	ST-6, 6A, Primary fuse [D]			NAFU-2203v, Fuse pc board ass'y [W]
	28140185	Cushion, speaker switch [BLACK]		252076	3.15A-SE-EAK, Primary fuse [G] [W]			
A513	28140206B	Cushion, volume [BLACK]	P3	25050211	H0445, Fuse holder [W]			
A514	28140265	Cushion	P5	252070	1A-SE-EAK, Secondary fuse [G]			
A601	27170187B	Leg	▲ F901	12028554B	NAEQ-2154b, Equalizer amplifier pc board ass'y [D] [W]			
A602	27175044	Bottom board						
A701	834430068	3TTS+6B (BC), Tapping screw	F701					
A702	831430088	3TTW+8B (BC), Tapping screw	U1					
A703	838440089	4TTB+8C (BC), Tapping screw						
A704	834430168	3TTS+16B (BC), Tapping screw						
A801	28321731A	Knob (VOL)						
	28321906	Knob (VOL), [BLACK]						
A802	28321723	Knob (BAL)						
	283220101	Knob (BAL), [BLACK]						

NOTE: [D]: Only 120V model
[G]: Only 220V model
[W]: Only 120V/220V model
[Black]: Black model

NOTE: THE COMPONENTS IDENTIFIED BY MARK ▲ ARE CRITICAL FOR RISK OF FIRE AND ELECTRIC SHOCK. REPLACE ONLY WITH PARTS NUMBER SPECIFIED.

PRINTED CIRCUIT BOARD PARTS LIST

EQUALIZER AMPLIFIER PC BOARD (NAEQ-2154b) — PARTS LIST

CIRCUIT NO.	PART NO.	DESCRIPTION
	ICs	
Q105, Q106	222570	NJM4560DX
	Transistors	
Q101~Q104	2211783 2211782	2SA991 (E) or 2SA991 (F)
	Diodes	
D101~D104	223145	1S2076TD
	Capacitors	
C101	379122237	0.022 μ F (M), 50V, DEW
C111, C112	392841007	10 μ F, 16V, Elect.
C113, 114	372122214	220pF, 50V, Styrene
C115, 116	372124705	47pF, 50V, Styrene
C119, C120	379124725	0.0047 μ F, 50V, DEW
C121, C122	379122234	0.022 μ F (J), 50V, DEW
C123, C124	379121834	0.018 μ F, 50V, DEW
C125, C126	379124734	0.047 μ F, 50V, DEW
C127, C128	352722229	2200 μ F, 6.3V, Elect.
C129, C130	392880227	2.2 μ F, 50V, Elect.
C131, C132	379121225	0.0012 μ F, 50V, DEW
C141, C142	392851017	100 μ F, 25V, Elect.
	Etc.	
S101a	25065229 25045034	NSS-63100, Remote switch NPJ-2PDBL10, INPUT Terminal

EQUALIZER AMPLIFIER PC BOARD (NAEQ-2154c) — PARTS LIST

CIRCUIT NO.	PART NO.	DESCRIPTION
	ICs	
Q105, Q106	222570	NJM4560DX
	Transistors	
Q101~Q104	2211783 2211782	2SA991 (E) or 2SA991 (F)
	Diodes	
D101~D104	223145	1S2076TD
	Capacitors	
C101	379121037	0.01 μ F, 50V, DEW
C103, C104	372123314	330pF, 50V, Styrene
C107~C110	379128225	0.0082, 50V, DEW
C111, C112	392841007	10 μ F, 16V, Elect.
C115, C116	372122214	220pF, 50V, Styrene
C119, C120	379124725	0.0047 μ F, 50V, DEW
C121, C122	379122234	0.022 μ F (J), 50V, DEW
C123, C124	379121834	0.018 μ F, 50V, DEW
C125, C126	379124734	0.047 μ F, 50V, DEW
C127, C128	352722229	2200 μ F, 6.3V, Elect.
C129, C130	392880227	2.2 μ F, 50V, Elect.
C131, C132	379121225	0.0012 μ F, 50V, DEW
C141, C142	392851017	100 μ F, 25V, Elect.
	Coils	
L101, L102	231030	NCH-1070
	Etc.	
S101a	25065229 25045034	NSS-63100, Remote switch NPJ-2PDBL10, INPUT Terminal

POWER AMPLIFIER PC BOARD 1 (NADA-2286, NADA-2286a) — PARTS LIST

CIRCUIT NO.	PART NO.	DESCRIPTION
	ICs	
Q519, Q520	222502	NJM4558DX
	Transistors	
Q501, Q502	2211915 2211916 2211917	2SK240 (GR) or 2SK240 (BL) or 2SK240 (V)
Q503~Q506	2211733 2211732	2SC1845 (E) or 2SC1845 (F)
Q507~Q512	2211455 2210803	2SA1015 (GR) or 2SA733 (P)
Q513, Q514	2211354 2211353	2SA949 (Y) or 2SA949 (O)
Q515, Q516	2211634 2211633	2SC2229 (Y) or 2SC2229 (O)
Q517, Q518	2211255	2SC1815 (GR)
Q901	2201512 2201513 2201074	2SD1200 (Q) or 2SD1200 (R) or 2SD880 (Y)
Q902	2201502 2201503 2201244	2SB889 (Q) or 2SB889 (R) or 2SB834 (Y)
	Diodes	
D501~D504 D507~D510 D513, D514, D517 D518~D520	223145	1S2076TD
D505, D506, D511, D512 D515, D516 D901, D902	225126 4000068 2241232 2239754 2243294	GL-3PR1, LED VD1222, Varistor GZA-22Y or RD22E-B4 or MTZ22-D, Zener
	Capacitors	
C301~C308 C503, C504 C501, C502 C505, C506 C509, C510 C511, C512 C513~C516 C519, C520 C901, C902 C903, C904 C905, C906	372121014 372126805 379121235 379122237 372123305 352752209 379123935 352781019 352754709 352754719	100pF, 50V, Styrene 68pF, 50V, Styrene 0.012 μ F, 50V, DEW 0.022 μ F, 50V, DEW 33pF, 50V, Styrene 22 μ F, 25V, Elect. 0.039 μ F, 50V, DEW 100 μ F, 50V, Elect. 47 μ F, 25V, Elect. 470 μ F, 25V, Elect.
	Resistors	
R523, R524 R525, R526 R527, R528 R531, R532 R533, R534 R549, R550 R901, R902 R958	442520684 442525614 442524734 5225072 442523724 442520474 441525114 442527514	6.8 Ω , 1/2W, Metal oxide film 560 Ω , 1/2W, Metal oxide film 47k Ω , 1/2W, Metal oxide film N10HR4.7KBDM, Semi-fixed 4.7k Ω , 1/2W, Metal oxide film 4.7 Ω , 1/2W, Metal oxide film 510 Ω , 1/2W, Metal oxide film 750 Ω , 1/2W, Metal oxide film
	Etc.	
S301 S302 P304, P306	25030195 25030258 25045137 25050140	NRSM-146-30SS, Switch NRSM-166-30SS, Switch NPJ-6PDBL52, INPUT Terminal NJPS-3P-S, Socket

**INPUT SELECTOR SWITCH PC BOARD (NASW-2156a)
– PARTS LIST**

CIRCUIT NO.	PART NO.	DESCRIPTION
S303	25035442	NPS-642-L406, Switch
P303, P305	25050140	NJPS-3P-S, Sockets

**INPUT SELECTOR SWITCH PC BOARD (NASW-2156b)
– PARTS LIST**

CIRCUIT NO.	PART NO.	DESCRIPTION
C331, C332	372122214	220pF, 50V, Capacitors, Styrene
S303	25035442	NPS-642-L406, Switch
P303, P305	25050140	NJPS-3P-S, Sockets

**POWER AMPLIFIER PC BOARD 2 (NAMA-2157c,
NAMA-2157d) – PARTS LIST**

CIRCUIT NO.	PART NO.	DESCRIPTION
	IC	
Q701	222584	TA7317P
	Transistors	
Q601, Q602	2211634	2SC2229 (Y) or
	2211633	2SC2229 (O)
Q603, Q604	2211354	2SA949 (Y) or
	2211353	2SA949 (O)
Q605, Q606	2200864	2SC2238 (Y) or
	2200863	2SC2238 (O)
Q607, Q608	2200874	2SA968 (Y) or
	2200873	2SA968 (O)
Q617, Q618	2211733	2SC1845 (E) or
	2211732	2SC1845 (F)
	Diodes	
D701	223862	WL-01
D702, D704	223145	1S2076TD
D703	2240972	GZA6.2Y,
	2240973	GZA6.2Z,
	2239492	RD6.2E-B2,
	2239493	RD6.2E-B3,
	2243162	MTZ6.2-B or
	2243163	MTZ6.2-C, Zener
	Coils	
L601, L602	231015	S-0.8C
L603, L604	230904	B-20L-44, Core (FR)
	Capacitors	
C605, C606	379121047	0.1 μ F, 50V, DEW
C607, C608	379124735	0.047 μ F, 50V, DEW
C611 ~ C614	379121045	0.1 μ F, 50V, DEW
C701	352722219	220 μ F, 6.3V, Elect.
C703	352732209	22 μ F, 10V, Elect.
C704	352784799	0.47 μ F, 50V, Elect.
C706	352743319	330 μ F, 16V, Elect.
C707	352744719	470 μ F, 16V, Elect.
C708, C710	379122237	0.022 μ F, 50V, DEW
	Resistors	
R601, C602	442521024	1k Ω , 1/2W, Metal oxide film
R603, R604	442521014	100 Ω , 1/2W, Metal oxide film
R605 ~ R612	442520224	2.2 Ω , 1/2W, Metal oxide film
R613 ~ R616	4000063	0.47 Ω , 2W, Metal plate
R619 ~ R622		
R617, R618	441620104	1 Ω , 1W, Metal oxide film
R623, R624		
R629 ~ R632	4000061	0.33 Ω , 2W, Metal plate
R639 ~ R642	441621604	16 Ω , 1W, Metal oxide film
R713	442523304	33 Ω , 1/2W, Metal oxide film
	Etc.	
PL701	210172	PL14V 0.06A W-2.0, Lamp
RL701	25065036	NRL-4P3A-DC12-01, Relay

LED CIRCUIT PC BOARD (NADIS-2287) – PARTS LIST

CIRCUIT NO.	PART NO.	DESCRIPTION
D301 ~ D306	225174	SLR55MC3N or
	225173	SLR55MC3M, LED
	27190316A	Holder LED

LED CIRCUIT PC BOARD (NADIS-2159) – PARTS LIST

CIRCUIT NO.	PART NO.	DESCRIPTION
D321 ~ D326	225167RB or	GL-5HY10-RB or
	225167RC	GL-5HY10-RC, LED
	27190317	Holder LED

MODE SWITCH PC BOARD (NASW-2162) – PARTS LIST

CIRCUIT NO.	PART NO.	DESCRIPTION
S304	25035443	NPS-122-100-L407, Switch

SWITCH CIRCUIT PC BOARD (NASW-2163) – PARTS LIST

CIRCUIT NO.	PART NO.	DESCRIPTION
C311, C312	352781599	0.15 μ F, 50V, Capacitor, Elect.
S305	25035266	NPS-122-L230, Switch
S306, (S307)	25035265	NPS-222-L229, Switch

STONE CONTROLE PC BOARD (NATC-2164b) – PARTS LIST

CIRCUIT NO.	PART NO.	DESCRIPTION
	Capacitors	
C315, C316	379121235	0.012 μ F, 50V, DEW
C317, C318	379125625	0.0056 μ F, 50V, DEW
C319, C320	379121025	0.001 μ F, 50V, DEW
C321, C322	379123335	0.033 μ F, 50V, DEW
	Resistors	
R317	5148044	N16RGMC250KMN30, Variable
R321	5148046A	N16RGM11C219K30, Variable
R323	5148045A	N16RQM11C110K180K30, Variable

VOLUME CONTROL PC BOARD (NAVR-2166) – PARTS LIST

CIRCUIT NO.	PART NO.	DESCRIPTION
R351	5172062	N16RGL100KBTP30, Variable resistor

**SPEAKER SWITCH & POWER SUPPLY PC BOARD
(NAPS-2288) – PARTS LIST**

CIRCUIT NO.	PART NO.	DESCRIPTION
	Diodes	
D951	223884	KBPC8-02
	223845	GP-20DL
	Capacitors	
C951 ~ C953	380504745	0.47 μ F, 160V, CF
C954, C955	3504174	15000 μ F, 69V, Elect.
	Resistors	
R753, R754	441623914	390 Ω , 1W, Metal oxide film
R951	442525104	51 Ω , 1/2W, Metal oxide film
R964, R965	441522294	0.22 Ω , 1/2W, Metal oxide film
	Etc.	
	25030257	NRSM-164-30SS, Switch
	25045164	HLJ4317-01-3020, Headphone jack
	27300731	Plate (C)
	27300732	Plate (P)

SPEAKER TERMINAL PC BOARD (NATS-2168) – PARTS LIST

CIRCUIT NO.	PART NO.	DESCRIPTION
	25060039	NTM-4PDMN10, Terminal

SPEAKER TERMINAL PC BOARD (NATS-2168a) – PARTS LIST

CIRCUIT NO.	PART NO.	DESCRIPTION
C751, C753	379121025	0.001μF, 50V, Capacitor DEW
	25060039	NTM-4PDMN10, Terminal

LED CIRCUIT PC BOARD (NADIS-2169) – PARTS LIST

CIRCUIT NO.	PART NO.	DESCRIPTION
D711	225174	SLR55MC3N, LED
	225173	SLR55MC3M, LED
	27190319A	Holder LED

FUSE PC BOARD (NAFU-2203f) – PARTS LIST

CIRCUIT NO.	PART NO.	DESCRIPTION
	250113	S-N5051, Fuse holder
	29355118	Label

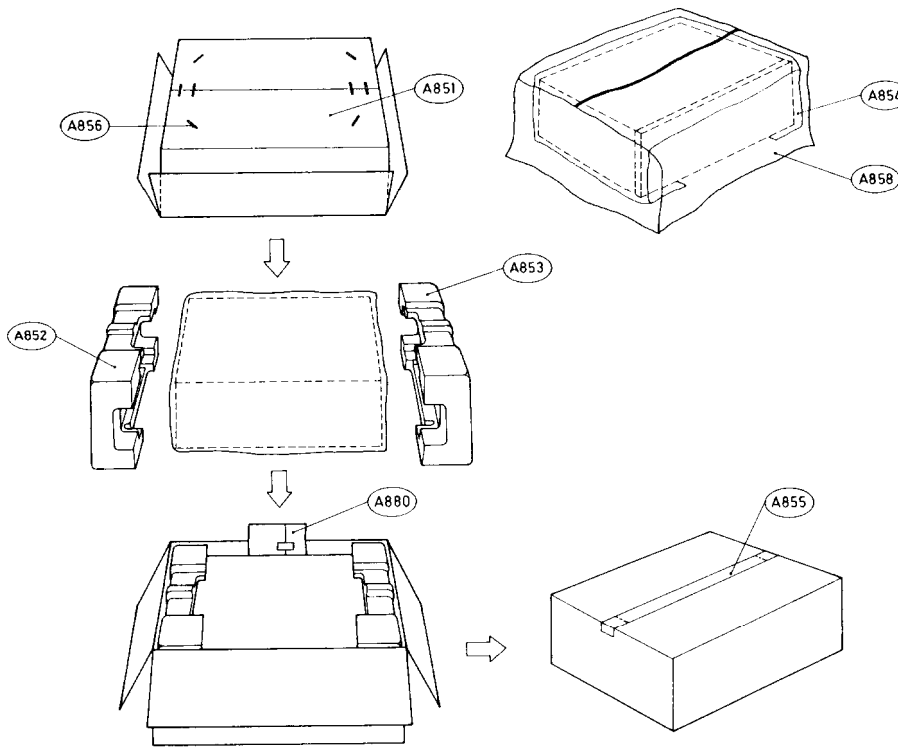
FUSE PC BOARD (NAFU-2203b) – PARTS LIST

CIRCUIT NO.	PART NO.	DESCRIPTION
	25050065	YSH403T, Fuse holder

FUSE PC BOARD (NAFU-2203g) – PARTS LIST

CIRCUIT NO.	PART NO.	DESCRIPTION
	250113	S-N5051, Fuse holder
	29360783	6A/125V, Label

PACKING PROCEDURES



REF. NO.	PART NO.	DESCRIPTION		
A851	29051060A	Master carton box	29365006-6	Warranty card [U]
	29051061A	Master carton box [BLACK]	29358002C	Service station list [U]
A852	29090488C	Pad, left	29360778	Label, flush [U]
A853	29090489B	Pad, right	29100006A	350×250, Poly bag
A854	29095012-1	500×800, Protection sheet	25055018	CV-K-1, Conversion plug [W]
A855	260021	Damplon tape		
A856	282301	Sealing hook		
A858	29100038A	720×950, Poly bag		
A880	Accessory bag ass'y			
	29340845	Instruction manual [D]		
	29340846	Instruction manual [G][W]		

NOTE: [U] : Only U.S.A. model
 [G] : Only 220V model
 [W] : Only 120V/220V model
 [BLACK] : Black model

